

Kingbright Catalog

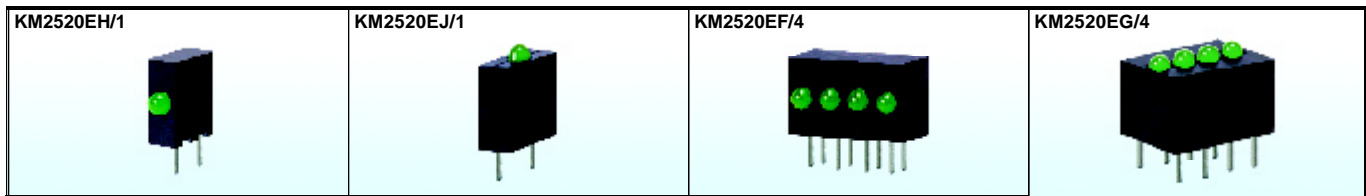
2003-2004



INDEX

P 2-12 HOUSING LED LAMPS

P 13-14 HOUSING & SPACER FOR LED LAMPS



Part No.	Material	λ D (nm)	Lens Type	Iv (mcd) @20mA *V=5V		Viewing Angle 2θ1/2	Dimension
				Min.	Typ.		

KM2520EH/1ID	GaAsP/GaP	625	red diffused	7	30	40	Subminiature Solid State Lamps
KM2520EH/1ID-5V	GaAsP/GaP	625	red diffused	*2.6	*8	40	
KM2520EH/1YD	GaAsP/GaP	588	yellow diffused	2.6	10	40	
KM2520EH/1YD-5V	GaAsP/GaP	588	yellow diffused	*1.6	*3	40	
KM2520EH/1SGD	GaP	568	green diffused	2.6	10	40	
KM2520EH/1SGD-5V	GaP	568	green diffused	*1.6	*4	40	

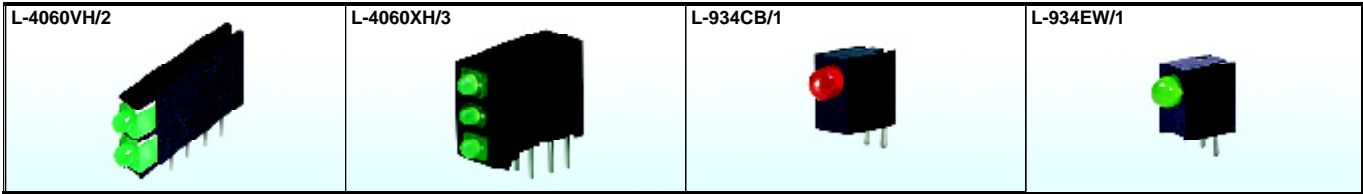
KM2520EJ/1ID	GaAsP/GaP	625	red diffused	7	30	40	Subminiature Solid State Lamps
KM2520EJ/1ID-5V	GaAsP/GaP	625	red diffused	*2.6	*8	40	
KM2520EJ/1YD	GaAsP/GaP	588	yellow diffused	2.6	10	40	
KM2520EJ/1YD-5V	GaAsP/GaP	588	yellow diffused	*1.6	*3	40	
KM2520EJ/1SGD	GaP	568	green diffused	2.6	10	40	
KM2520EJ/1SGD-5V	GaP	568	green diffused	*1.6	*4	40	

KM2520EF/4ID	GaAsP/GaP	625	red diffused	7	30	40	Subminiature Solid State Lamps
KM2520EF/4ID-5V	GaAsP/GaP	625	red diffused	*2.6	*8	40	
KM2520EF/4YD	GaAsP/GaP	588	yellow diffused	2.6	10	40	
KM2520EF/4YD-5V	GaAsP/GaP	588	yellow diffused	*1.6	*3	40	
KM2520EF/4SGD	GaP	568	green diffused	2.6	10	40	
KM2520EF/4SGD-5V	GaP	568	green diffused	*1.6	*4	40	

KM2520EG/4ID	GaAsP/GaP	625	red diffused	7	30	40	Subminiature Solid State Lamps
KM2520EG/4ID-5V	GaAsP/GaP	625	red diffused	*2.6	*8	40	
KM2520EG/4YD	GaAsP/GaP	588	yellow diffused	2.6	10	40	
KM2520EG/4YD-5V	GaAsP/GaP	588	yellow diffused	*1.6	*3	40	
KM2520EG/4SGD	GaP	568	green diffused	2.6	10	40	
KM2520EG/4SGD-5V	GaP	568	green diffused	*1.6	*4	40	

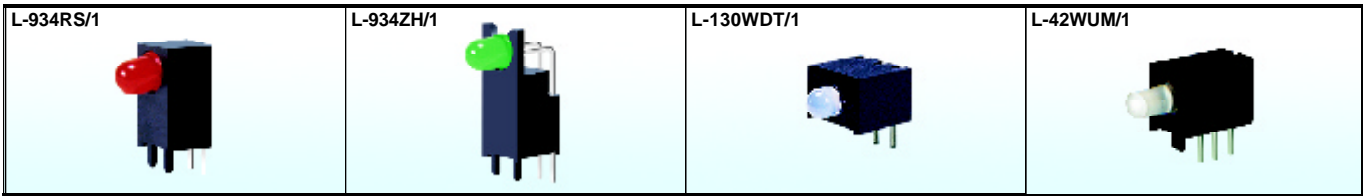
NOTES:

- All dimensions are in millimeters (inches).
- Tolerance is ±0.25mm (0.01") unless otherwise noted.
- Parts with different 6V, 12V & 24V internal resistor are available. Please check with our sales offices worldwide.



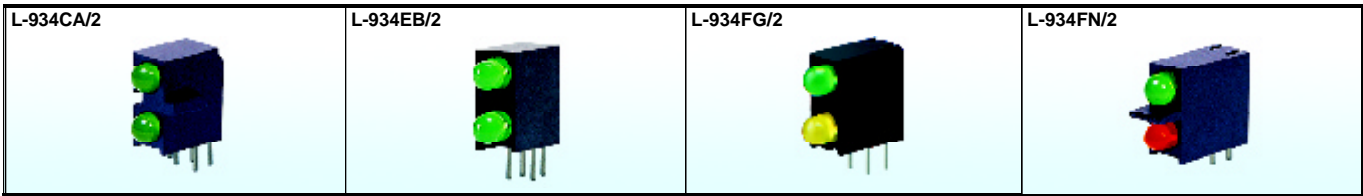
Part No.	Material	I D (nm)	Lens Type	Iv (mcd) @10mA *20mA		Viewing Angle 2 θ 1/2	Dimension
				Min.	Typ.		
L-4060VH/2ID	GaAsP/GaP	625	red diffused	8	15	70	1.8mm Bi-Level
L-4060VH/2SRD	GaAlAs	640	red diffused	*70	*200	70	
L-4060VH/2YD	GaAsP/GaP	588	yellow diffused	1.8	5	70	
L-4060VH/2GD	GaP	568	green diffused	5	10	70	
L-4060XH/3ID	GaAsP/GaP	625	red diffused	8	15	70	1.8mm Tri-Level
L-4060XH/3SRD	GaAlAs	640	red diffused	*70	*200	70	
L-4060XH/3YD	GaAsP/GaP	588	yellow diffused	1.8	5	70	
L-4060XH/3GD	GaP	568	green diffused	5	10	70	
L-934CB/1ID	GaAsP/GaP	625	red diffused	8	20	60	T-1 (3mm) Right Angle
L-934CB/1SRD	GaAlAs	640	red diffused	*110	*300	60	
L-934CB/1YD	GaAsP/GaP	588	yellow diffused	5	15	60	
L-934CB/1GD	GaP	568	green diffused	8	20	60	
L-934EW/1ID	GaAsP/GaP	625	red diffused	8	20	60	T-1 (3mm) Right Angle
L-934EW/1SRD	GaAlAs	640	red diffused	*110	*300	60	
L-934EW/1YD	GaAsP/GaP	588	yellow diffused	5	15	60	
L-934EW/1GD	GaP	568	green diffused	8	20	60	

NOTES:
 1. All dimensions are in millimeters (inches).
 2. Tolerance is ±0.25mm (0.01") unless otherwise noted.



Part No.	Material	I D (nm)	Lens Type	Iv (mcd) @10mA *20mA		Viewing Angle 2 ϕ /2	Dimension
				Min.	Typ.		
L-934RS/1ID	GaAsP/GaP	625	red diffused	8	20	60	T-1 (3mm) Right Angle
L-934RS/1SRD	GaAlAs	640	red diffused	*110	*300	60	
L-934RS/1YD	GaAsP/GaP	588	yellow diffused	5	15	60	
L-934RS/1GD	GaP	568	green diffused	8	20	60	
L-934ZH/1ID	GaAsP/GaP	625	red diffused	8	20	60	T-1 (3mm) Right Angle
L-934ZH/1SRD	GaAlAs	640	red diffused	*110	*300	60	
L-934ZH/1YD	GaAsP/GaP	588	yellow diffused	5	15	60	
L-934ZH/1GD	GaP	568	green diffused	8	20	60	
L-130WDT/1EGW	GaAsP/GaP	625	white diffused	*7	*30	60	T-1 (3mm) Right Angle
	GaP	568		*7	*25		
L-130WDT/1EYW	GaAsP/GaP	625	white diffused	*7	*30	60	
	GaAsP/GaP	588		*7	*20		
L-130WDT/1GYW	GaP	568	white diffused	*7	*25	60	
	GaAsP/GaP	588		*7	*20		
L-42WUM/1EGW	GaAsP/GaP	625	white diffused	*4	*13	100	
	GaP	568		*4	*13		
L-42WUM/1EYW	GaAsP/GaP	625	white diffused	*4	*13	100	
	GaAsP/GaP	588		*2.6	*6		
L-42WUM/1GYW	GaP	568	white diffused	*4	*13	100	
	GaAsP/GaP	588		*2.6	*6		

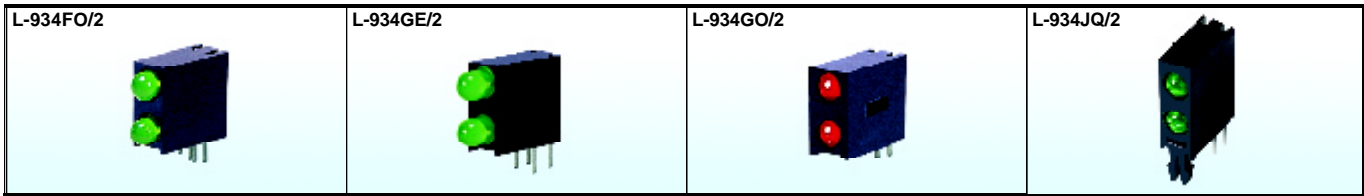
NOTES:
 1. All dimensions are in millimeters(inches).
 2. Tolerance is $\pm 0.25\text{mm}(0.01")$ unless otherwise noted.



Part No.	Material	I D (nm)	Lens Type	Iv (mcd) @10mA *20mA		Viewing Angle 2 θ 1/2	Dimension
				Min.	Typ.		
L-934CA/2ID-90	GaAsP/GaP	625	red diffused	8	20	60	T-1 (3mm) Bi-Level
L-934CA/2SRD-90	GaAlAs	640	red diffused	*110	*300	60	
L-934CA/2YD-90	GaAsP/GaP	588	yellow diffused	5	15	60	
L-934CA/2GD-90	GaP	568	green diffused	8	20	60	
L-934EB/2ID	GaAsP/GaP	625	red diffused	8	20	60	T-1 (3mm) Bi-Level
L-934EB/2SRD	GaAlAs	640	red diffused	*110	*300	60	
L-934EB/2YD	GaAsP/GaP	588	yellow diffused	5	15	60	
L-934EB/2GD	GaP	568	green diffused	8	20	60	
L-934FG/2ID	GaAsP/GaP	625	red diffused	8	20	60	T-1 (3mm) Bi-Level
L-934FG/2SRD	GaAlAs	640	red diffused	*110	*300	60	
L-934FG/2YD	GaAsP/GaP	588	yellow diffused	5	15	60	
L-934FG/2GD	GaP	568	green diffused	8	20	60	
L-934FN/2ID	GaAsP/GaP	625	red diffused	8	20	60	T-1 (3mm) Bi-Level
L-934FN/2SRD	GaAlAs	640	red diffused	*110	*300	60	
L-934FN/2YD	GaAsP/GaP	588	yellow diffused	5	15	60	
L-934FN/2GD	GaP	568	green diffused	8	20	60	

NOTES:

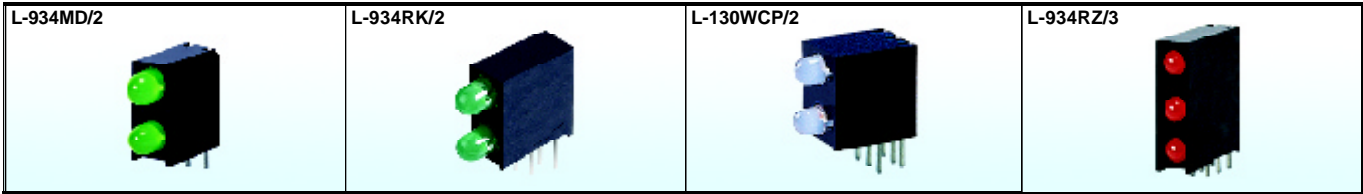
1. All dimensions are in millimeters (inches).
2. Tolerance is $\pm 0.25\text{mm}$ ($0.01''$) unless otherwise noted.



Part No.	Material	I D (nm)	Lens Type	Iv (mcd) @10mA *20mA		Viewing Angle 2 θ 1/2	Dimension
				Min.	Typ.		
L-934FO/2ID	GaAsP/GaP	625	red diffused	8	20	60	T-1 (3mm) Bi-Level
L-934FO/2SRD	GaAlAs	640	red diffused	*110	*300	60	
L-934FO/2YD	GaAsP/GaP	588	yellow diffused	5	15	60	
L-934FO/2GD	GaP	568	green diffused	8	20	60	
L-934GE/2ID	GaAsP/GaP	625	red diffused	8	20	60	T-1 (3mm) Bi-Level
L-934GE/2SRD	GaAlAs	640	red diffused	*110	*300	60	
L-934GE/2YD	GaAsP/GaP	588	yellow diffused	5	15	60	
L-934GE/2GD	GaP	568	green diffused	8	20	60	
L-934GO/2ID	GaAsP/GaP	625	red diffused	8	20	60	T-1 (3mm) Bi-Level
L-934GO/2SRD	GaAlAs	640	red diffused	*110	*300	60	
L-934GO/2YD	GaAsP/GaP	588	yellow diffused	5	15	60	
L-934GO/2GD	GaP	568	green diffused	8	20	60	
L-934JQ/2ID	GaAsP/GaP	625	red diffused	8	20	60	T-1 (3mm) Bi-Level
L-934JQ/2SRD	GaAlAs	640	red diffused	*110	*300	60	
L-934JQ/2YD	GaAsP/GaP	588	yellow diffused	5	15	60	
L-934JQ/2GD	GaP	568	green diffused	8	20	60	

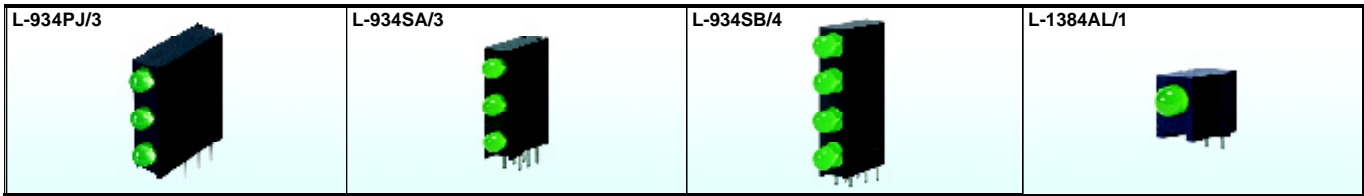
NOTES:

1. All dimensions are in millimeters (inches).
2. Tolerance is $\pm 0.25\text{mm}$ ($0.01''$) unless otherwise noted.



Part No.	Material	I D (nm)	Lens Type	Iv (mcd) @10mA *20mA		Viewing Angle 2 θ 1/2	Dimension
				Min.	Typ.		
L-934MD/2ID	GaAsP/GaP	625	red diffused	8	20	60	T-1 (3mm) Bi-Level
L-934MD/2SRD	GaAlAs	640	red diffused	*110	*300	60	
L-934MD/2YD	GaAsP/GaP	588	yellow diffused	5	15	60	
L-934MD/2GD	GaP	568	green diffused	8	20	60	
L-934RK/2ID	GaAsP/GaP	625	red diffused	8	20	60	T-1 (3mm) Bi-Level
L-934RK/2SRD	GaAlAs	640	red diffused	*110	*300	60	
L-934RK/2YD	GaAsP/GaP	588	yellow diffused	5	15	60	
L-934RK/2GD	GaP	568	green diffused	8	20	60	
L-130WCP/2EGW	GaAsP/GaP	625	white diffused	*7	*30	60	T-1(3mm) Bi-Level
	GaP	568		*7	*25		
L-130WCP/2EYW	GaAsP/GaP	625	white diffused	*7	*30	60	
	GaAsP/GaP	588		*7	*20		
L-130WCP/2GYW	GaP	568	white diffused	*7	*25	60	
	GaAsP/GaP	588		*7	*20		
L-934RZ/3ID	GaAsP/GaP	625	red diffused	8	20	60	T-1 (3mm) Tri-Level
L-934RZ/3SRD	GaAlAs	640	red diffused	*110	*300	60	
L-934RZ/3YD	GaAsP/GaP	588	yellow diffused	5	15	60	
L-934RZ/3GD	GaP	568	green diffused	8	20	60	

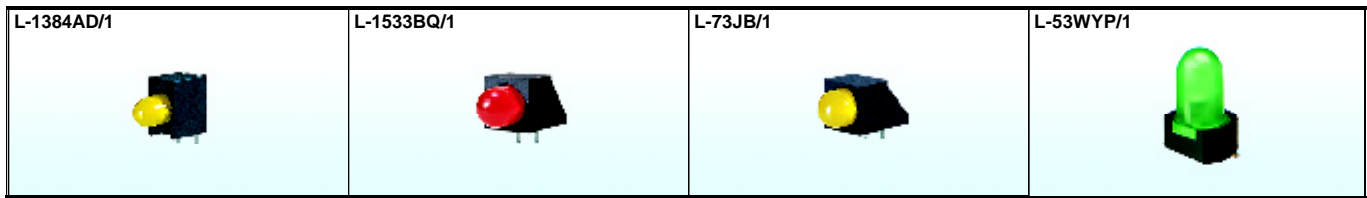
NOTES:
 1. All dimensions are in millimeters (inches).
 2. Tolerance is $\pm 0.25\text{mm}$ (0.01") unless otherwise noted.



Part No.	Material	I D (nm)	Lens Type	Iv (mcd) @10mA *20mA		Viewing Angle 2 θ 1/2	Dimension
				Min.	Typ.		
L-934PJ/3ID	GaAsP/GaP	625	red diffused	8	20	60	T-1 (3mm) Tri-Level
L-934PJ/3SRD	GaAlAs	640	red diffused	*110	*300	60	
L-934PJ/3YD	GaAsP/GaP	588	yellow diffused	5	15	60	
L-934PJ/3GD	GaP	568	green diffused	8	20	60	
L-934SA/3ID	GaAsP/GaP	625	red diffused	8	20	60	T-1 (3mm) Tri-Level
L-934SA/3SRD	GaAlAs	640	red diffused	*110	*300	60	
L-934SA/3YD	GaAsP/GaP	588	yellow diffused	5	15	60	
L-934SA/3GD	GaP	568	green diffused	8	20	60	
L-934SB/4ID	GaAsP/GaP	625	red diffused	8	20	60	T-1 (3mm) Quad-Level
L-934SB/4SRD	GaAlAs	640	red diffused	*110	*300	60	
L-934SB/4YD	GaAsP/GaP	588	yellow diffused	5	15	60	
L-934SB/4GD	GaP	568	green diffused	8	20	60	
L-1384AL/1ID	GaAsP/GaP	625	red diffused	12	20	60	3.4mm Right Angle
L-1384AL/1SRD	GaAlAs	640	red diffused	*70	*200	60	
L-1384AL/1YD	GaAsP/GaP	588	yellow diffused	8	15	60	
L-1384AL/1GD	GaP	568	green diffused	8	15	60	

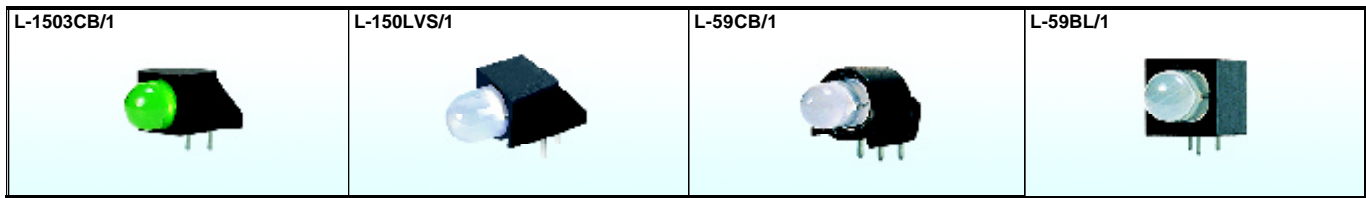
NOTES:

1. All dimensions are in millimeters (inches).
2. Tolerance is $\pm 0.25\text{mm}$ (0.01") unless otherwise noted.



Part No.	Material	I D (nm)	Lens Type	Iv (mcd) @10mA *20mA		Viewing Angle 2 θ 1/2	Dimension
				Min.	Typ.		
L-1384AD/1ID	GaAsP/GaP	625	red diffused	12	20	60	3.4mm Right Angle
L-1384AD/1SRD	GaAlAs	640	red diffused	*70	*200	60	
L-1384AD/1YD	GaAsP/GaP	588	yellow diffused	8	15	60	
L-1384AD/1GD	GaP	568	green diffused	8	15	60	
L-1533BQ/1ID	GaAsP/GaP	625	red diffused	8	30	60	4.7mm Right Angle
L-1533BQ/1SRD	GaAlAs	640	red diffused	*110	*400	60	
L-1533BQ/1YD	GaAsP/GaP	588	yellow diffused	5	18	60	
L-1533BQ/1GD	GaP	568	green diffused	5	20	60	
L-73JB/1IDA	GaAsP/GaP	625	red diffused	8	30	60	4.8mm Right Angle
L-73JB/1SRDA	GaAlAs	640	red diffused	*110	*300	60	
L-73JB/1YDA	GaAsP/GaP	588	yellow diffused	5	20	60	
L-73JB/1GDA	GaP	568	green diffused	8	20	60	
L-53WYP/1SEC-H	InGaAlP	630	water clear	*6700	*10000	30	T-1 3/4 (5mm) With Spacer
L-53WYP/1VGC-H	InGaN	525	water clear	*7500	*18000	30	
L-53WYP/1PBC-H	InGaN	470	water clear	*2200	*3600	30	
L-53WYP/1PWC-H	InGaN	-	water clear	*2500	*4800	30	
				X=0.33, Y=0.34			

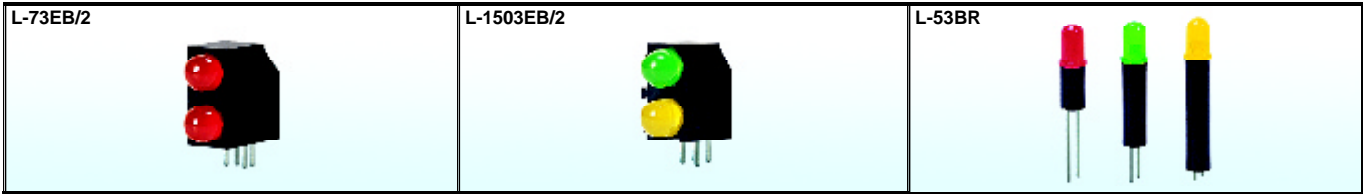
NOTES:
 1. All dimensions are in millimeters (inches).
 2. Tolerance is $\pm 0.25\text{mm}$ ($0.01''$) unless otherwise noted.



Part No.	Material	I D (nm)	Lens Type	Iv (mcd) @10mA *20mA		Viewing Angle 2 ϕ 1/2	Dimension
				Min.	Typ.		
L-1503CB/1ID	GaAsP/GaP	625	red diffused	8	30	60	T-1 3/4 (5mm) Right Angle
L-1503CB/1SRD	GaAlAs	640	red diffused	*110	*400	60	
L-1503CB/1YD	GaAsP/GaP	588	yellow diffused	5	20	60	
L-1503CB/1GD	GaP	568	green diffused	5	20	60	
L-150LVS/1EGW	GaAsP/GaP	625	white diffused	*18	*60	60	T-1 3/4 (5mm) Right Angle
	GaP	568		*18	*50		
L-150LVS/1EYW	GaAsP/GaP	625	white diffused	*18	*60	60	
	GaAsP/GaP	588		*18	*40		
L-150LVS/1GYW	GaP	568	white diffused	*18	*50	60	
	GaAsP/GaP	588		*18	*40		
L-59CB/1EGW	GaAsP/GaP	625	white diffused	*18	*60	60	T-1 3/4 (5mm) Right Angle
	GaP	568		*18	*50		
L-59CB/1EYW	GaAsP/GaP	625	white diffused	*18	*60	60	
	GaAsP/GaP	588		*18	*40		
L-59CB/1GYW	GaP	568	white diffused	*18	*50	60	
	GaAsP/GaP	588		*18	*40		
L-59BL/1EGW	GaAsP/GaP	625	white diffused	*18	*60	60	T-1 3/4 (5mm) Right Angle
	GaP	568		*18	*50		
L-59BL/1EYW	GaAsP/GaP	625	white diffused	*18	*60	60	
	GaAsP/GaP	588		*18	*40		
L-59BL/1GYW	GaP	568	white diffused	*18	*50	60	
	GaAsP/GaP	588		*18	*40		

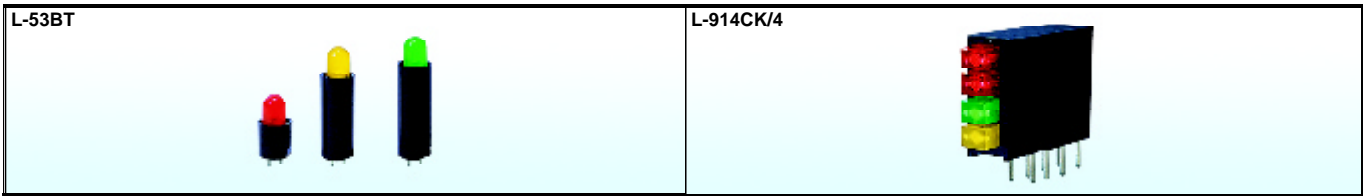
NOTES:

1. All dimensions are in millimeters (inches).
2. Tolerance is $\pm 0.25\text{mm}$ (0.01") unless otherwise noted.



Part No.	Material	λ D (nm)	Lens Type	Iv (mcd) @10mA *20mA		Viewing Angle 2θ 1/2	Dimension
				Min.	Typ.		
L-73EB/2IDA	GaAsP/GaP	625	red diffused	8	30	60	4.8mm Bi-Level
L-73EB/2SRDA	GaAlAs	640	red diffused	*110	*300	60	
L-73EB/2YDA	GaAsP/GaP	588	yellow diffused	5	20	60	
L-73EB/2GDA	GaP	568	green diffused	8	20	60	
L-1503EB/2ID	GaAsP/GaP	625	red diffused	8	30	60	T-1 3/4 (5mm) Bi-Level
L-1503EB/2SRD	GaAlAs	640	red diffused	*110	*400	60	
L-1503EB/2YD	GaAsP/GaP	588	yellow diffused	5	20	60	
L-1503EB/2GD	GaP	568	green diffused	5	20	60	
L-53BR-5.08/ID L-53BR-6.35/ID L-53BR-9.52/ID L-53BR-17.8/ID L-53BR-23.5/ID	GaAsP/GaP	625	red diffused	8	25	60	T-1 3/4 (5mm) With Spacer
L-53BR-5.08/SRD L-53BR-6.35/SRD L-53BR-9.52/SRD L-53BR-17.8/SRD L-53BR-23.5/SRD	GaAlAs	640	red diffused	*110	*300	60	
L-53BR-5.08/YD L-53BR-6.35/YD L-53BR-9.52/YD L-53BR-17.8/YD L-53BR-23.5/YD	GaAsP/GaP	588	yellow diffused	5	20	60	
L-53BR-5.08/GD L-53BR-6.35/GD L-53BR-9.52/GD L-53BR-17.8/GD L-53BR-23.5/GD	GaP	568	green diffused	5	20	60	
L-53BR-5.08/SGD L-53BR-6.35/SGD L-53BR-9.52/SGD L-53BR-17.8/SGD L-53BR-23.5/SGD	GaP	568	green diffused	*18	*40	60	

NOTES:
 1. All dimensions are in millimeters (inches).
 2. Tolerance is ±0.25mm (0.01") unless otherwise noted.

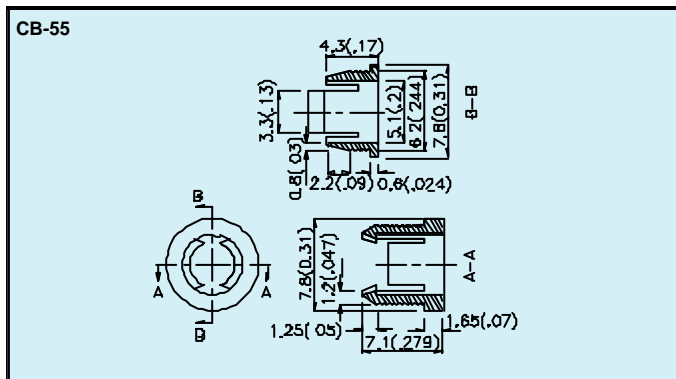
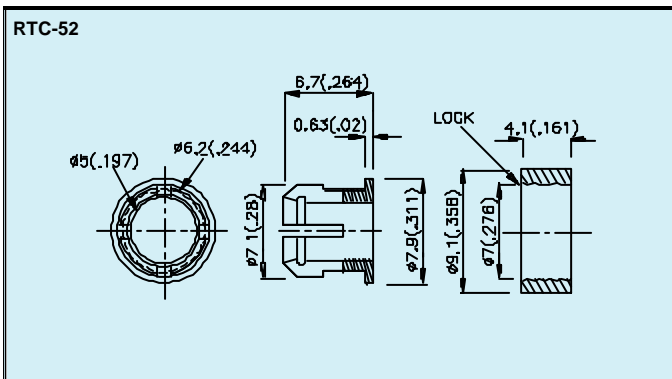
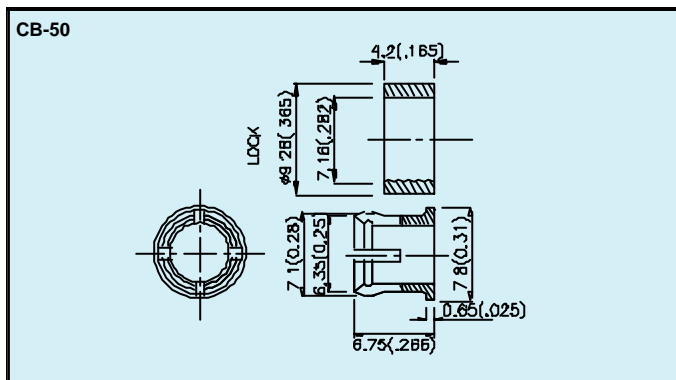
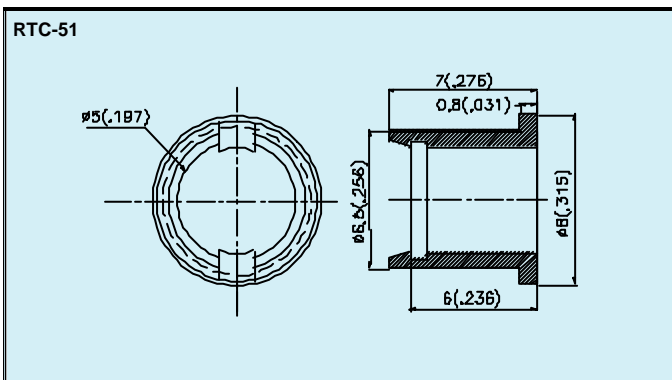
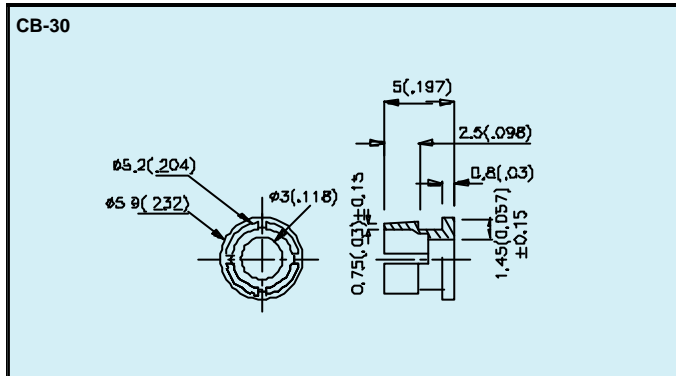
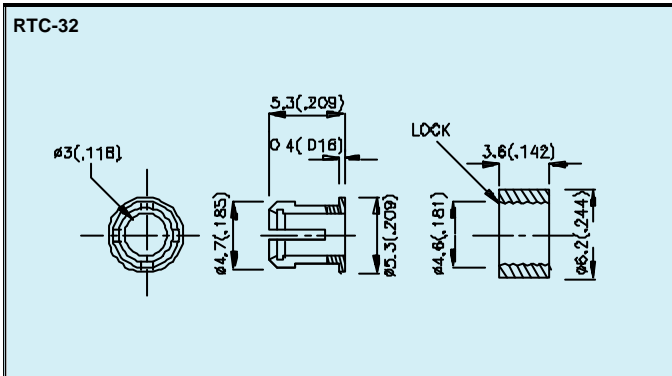
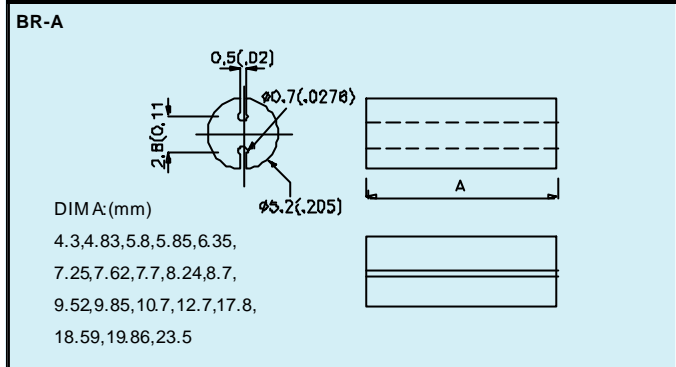
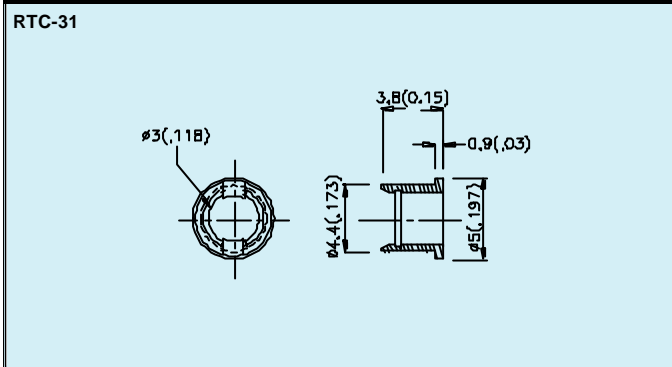
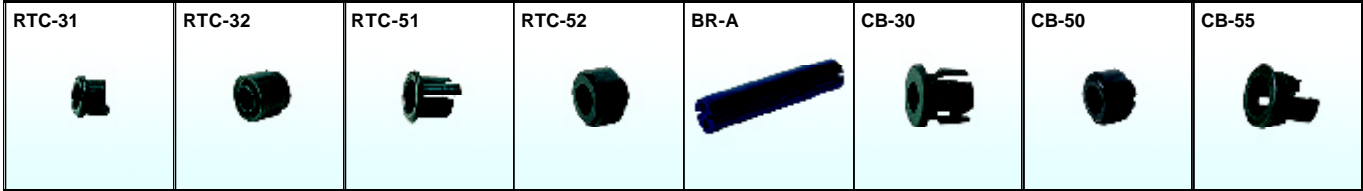


Part No.	Material	λ D (nm)	Lens Type	Iv (mcd) @10mA *20mA		Viewing Angle 2θ 1/2	Dimension
				Min.	Typ.		
L-53BT-12.7/ID L-53BT-22.86/ID L-53BT-25.4/ID	GaAsP/GaP	625	red diffused	8	25	60	T-1 3/4 (5mm) With Spacer
L-53BT-12.7/SRD L-53BT-22.86/SRD L-53BT-25.4/SRD	GaAlAs	640	red diffused	*110	*300	60	
L-53BT-12.7/YD L-53BT-22.86/YD L-53BT-25.4/YD	GaAsP/GaP	588	yellow diffused	5	20	60	
L-53BT-12.7/GD L-53BT-22.86/GD L-53BT-25.4/GD	GaP	568	green diffused	5	20	60	
L-53BT-12.7/SGD L-53BT-22.86/SGD L-53BT-25.4/SGD	GaP	568	green diffused	*18	*40	60	

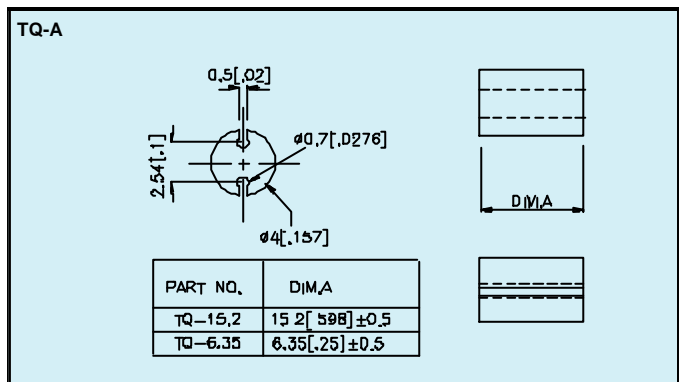
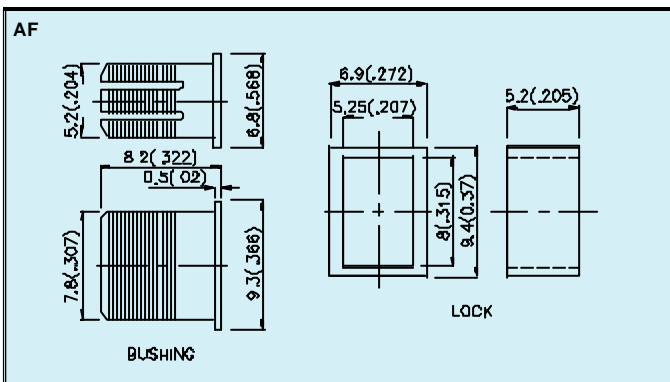
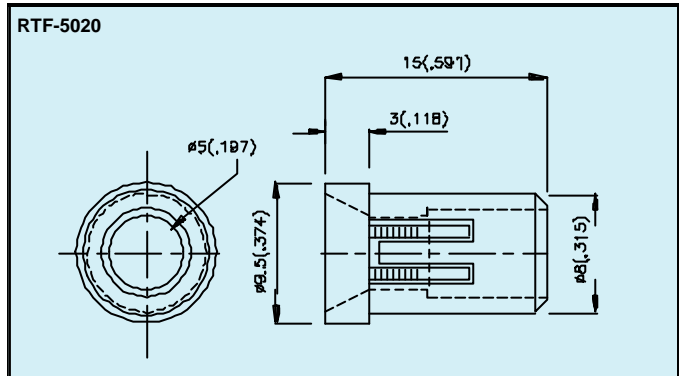
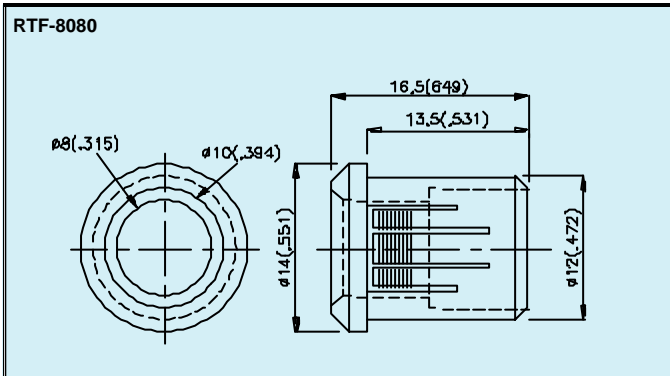
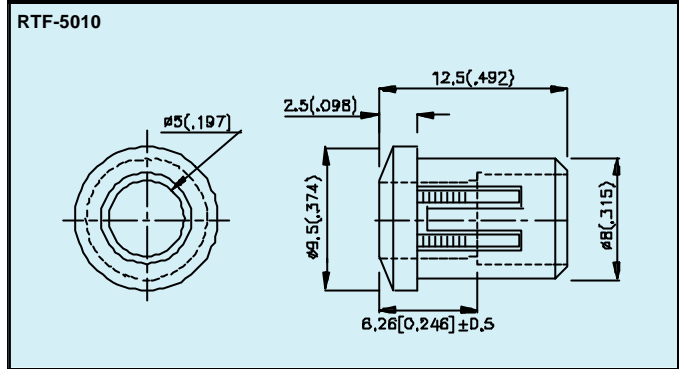
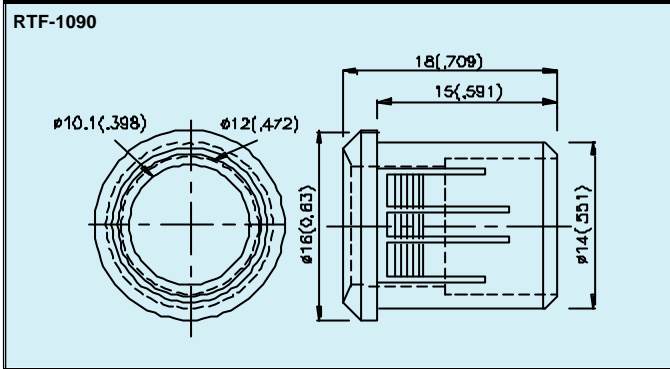
L-914CK/4ID	GaAsP/GaP	625	red diffused	1.8	8	100	2mm x 3mm Quad-Level
L-914CK/4YD	GaAsP/GaP	588	yellow diffused	1	4	100	
L-914CK/4GD	GaP	568	green diffused	1.8	6	100	

NOTES:

1. All dimensions are in millimeters(inches).
2. Tolerance is ±0.25mm(0.01") unless otherwise noted.



NOTES:
 1. All dimensions are in millimeters (inches).
 2. Tolerance is $\pm 0.25\text{mm}$ (0.01") unless otherwise noted.



NOTES:
 1. All dimensions are in millimeters (inches).
 2. Tolerance is ±0.25mm (0.01") unless otherwise noted.